

Toll Free: 866-880-4880 • Fax: 866-880-4881
 Email: info@Street3S.com

5127 Pensier Court • Las Vegas, NV 89135

3S-K71 Self Re-Erecting Post		Quantity	Total
1 – 50	\$82.00 ea.		
51 – 99	\$80.00		
100 – 200	\$79.00		
201 +	\$78.00		

Post Colors: Yellow Orange White

Reflective 4" Wide Stripes: Yellow Green Red Blue White

Anchor Bolt Sleeves		Quantity	Total
1 – 100	\$10.00 ea.		
101 – 200	\$9.80		
201 +	\$9.50		

Reinforcement Screens		Quantity	Total
1 – 200	\$5.00 ea.		
201 +	\$4.50		

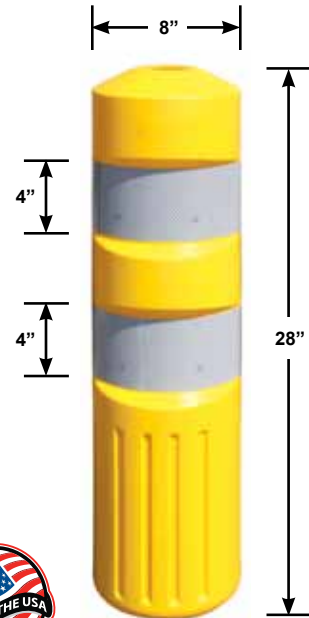
Optional Black Top Caps		Quantity	Total
1 – 200	\$2.00 ea.		
201 +	\$1.50		

T-Bar Tool		Quantity	Total
All	\$42.00 ea.		

- All Large Quantities Must Be Ordered At The Same Time To Qualify For Discount Pricing
- Freight & Epoxy Quantities Will Be Quoted Separately


TOTAL ADVANCE PAYMENT IS REQUIRED

Made in the USA



Sub-Total:	
Sales Tax: In Nevada Add Applicable Tax	
+ Freight:	
Total:	

Circle Credit Card No.: _____

 Expiration Date: _____ 3 Digit Sec. Code: _____

 Cardholder Name: _____

Cardholder Signature: _____

Make Checks Payable To:
 Street Smart Solutions, LLC

IMPORTANT

**Credit Card Information Must Match
 Billing Statement Address**

BILLING INFO: Date: _____

Business Name: _____

Contact Name: _____

Address: _____

City: _____ State: _____

Zip: _____ Phone: _____

Fax: _____

Email: _____

Purchase Order No. _____

SHIPPING INFO: (if different from Billing Info)

Business Name: _____

Contact Name: _____

Address: _____

City: _____ State: _____

Zip: _____ Phone: _____

Comments: _____

www.3S-Delineations.com

NOTE: Most orders are delivered within 15-20 business days upon receiving this order form completed & advance payment

*Prices as of March 4, 2011 and are subject to change without notice.